

Spherical 3-WAY™ Tee

with LOCK-O-RING® Flange -

Sizes: 4-inch to 24-inch



Bulletin No: 2100.020.02

Version: 01.2021

Supersedes: 2100.020.01 (02.2010)



Spherical 3-WAY™ Tee with LOCK-O-RING® Flange

Description

The 4-inch to 24-inch spherical three-way fittings are designed for use with STOPPLE® Plugging Equipment to temporarily stop flow in a line. A side or bottom outlet in the fittings permits installation of a bypass around the area where flow is stopped to keep the line in service. Spherical three-way fittings are furnished with LOCK-O-RING® Flanges drilled and faced to match ASME Class 150, 300 or 600 flanges. Other ASME Class ratings are available upon request. These fittings are available in 4-inch to 24-inch sizes.

Features

Spherical three-way fittings are compact and low-profile, with a side outlet at the same level as the main. With 4-inch to 12-inch sizes, the bottom half of the fitting can also be repositioned 180 degrees from the flange to create a bottom outlet. For 16-inch and larger sizes, the fitting must be specifically ordered as either a side or bottom

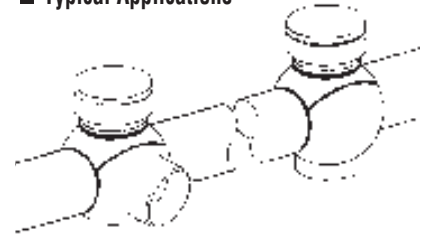
outlet. Whether the outlet is to the side or on the bottom, the STOPPLE® Plugging Head can stop flow in the main line while flow continues through the outlet. These fittings may be used for lateral line tie-in, temporary relocation, or permanent relocation projects.

Spherical three-way fittings are stamped with a serial number for complete material traceability. Material Test Reports are available upon request. Factory welding of these fittings is 100 percent radiographically inspected.

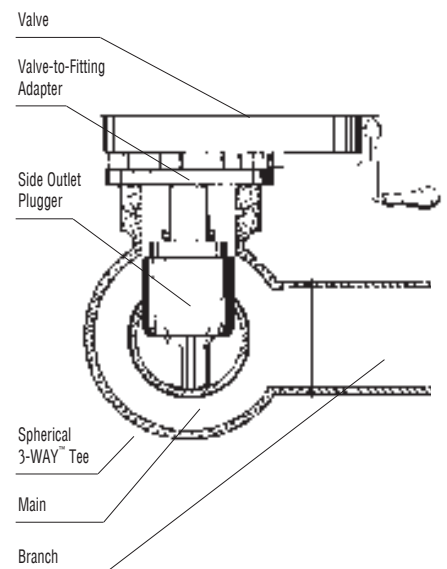
Options

After work is completed, a LOCK-O-RING® Completion Plug can be installed in the neck of the fitting, permitting removal of the tapping valve. A blind flange can be installed, providing protection for the plug.

Typical Applications



The bottom half of the Spherical 3-WAY™ Tee can be turned for either a side or bottom™ outlet as illustrated. The tee can also be installed horizontally.





Spherical 3-WAY™ Tee with LOCK-O-RING® Flange



■ 4-inch to 24-inch

ASME Class 150

Maximum allowable operating pressure (in psi) per ASME B31.4 at -20 to 180° F = 285 psi.
 Maximum allowable operating pressure (in psi) per ASME B31.8 at -20 to 100°F see chart below.

Size		Weight		Design Factor				Part Number
Inches	DN	lbs	Kgs	.40	.50	.60	.72	
4	100	48	22	285	285	285	285	26-1863-0415-00
6	150	95	43	285	285	285	285	26-1863-0615-00
8	200	150	68	285	285	285	285	26-1863-0815-00
10	250	340	155	285	285	285	285	26-1863-1015-00
12	300	380	173	285	285	285	285	26-1863-1215-00
16	400	875	397	285	285	285	285	26-1101-0000-suff
18	450	1180	535	250	285	285	285	26-1061-0000-suff
20	500	1295	587	210	260	285	285	26-0906-0000-suff
24	600	2235	1013	185	230	275	285	26-0911-0000-suff

ASME Class 300

Maximum allowable operating pressure (in psi) per ASME B31.4 at -20 to 180° F = 740 psi.
 Maximum allowable operating pressure (in psi) per ASME B31.8 at -20 to 100°F see chart below.

Size		Weight		Design Factor				Part Number
Inches	DN	lbs	Kgs	.40	.50	.60	.72	
4	100	60	27	435	545	650	740	26-1863-0430-00
6	150	100	45	410	510	615	740	26-1863-0630-00
8	200	160	73	495	620	740	740	26-1863-0830-00
10	250	340	155	500	625	740	740	26-1863-1030-00
12	300	380	173	470	590	710	740	26-1863-1230-00
16	400	890	202	445	555	670	740	26-1103-0000-suff
18	450	1200	544	410	515	615	740	26-1063-0000-suff
20	500	1310	594	410	510	615	740	26-0907-0000-suff
24	600	2350	1065	425	535	640	740	26-0912-0000-suff

ASME Class 600*

Maximum allowable operating pressure ASME B31.4/.72, B31.8/.72 1480PSI AT -20°F TO 250°F
 Maximum allowable operating pressure CSA Z662 CATII/.72 1480PSI AT -50°F TO 250°F

Size		Weight		Design Factor				Part Number
Inches	DN	lbs	Kgs	.40	.50	.60	.72	
4	100	77	35	1000	1250	1480	1480	12352122
6	150	158	72	960	1200	1440	1480	12352484
8	200	277	126	805	1010	1215	1480	12352483
10	250	552	250	900	1125	1355	1480	12352471
12	300	870	395	920	1030	1240	1480	12352437
16	400	1460	662	835	1050	1265	1480	12352383
18	450	1950	885	835	1045	1255	1480	12352373
20	500	2460	1116	860	1080	1300	1480	12352355
24	600	3860	1751	785	985	1180	1480	12352339

* Compliant with NACE MR0175