

Pencil Brush Cleaning Pig

Sizes: 4- to 42-inches



T.D. Williamson

Bulletin No: 3000.010.04

Version: 10.2021

Supersedes: 3000.010.03 (08.2016)



Description

Pencil Brush Cleaning Pigs are heavy duty, aggressive cleaning pigs equipped with a steel body, spring steel wire brushes and polyurethane bumpers and discs.

There are three standard configurations as shown above. The 5D-1BR will traverse a 1.5 DR bend while the 4D-2BR and 4D-2BR PitBoss™ will traverse 3 DR or larger bends.

Both the Pencil and PitBoss brushes (in the case of the 4D-2BR PitBoss Pencil Brush Pig) are very effective at removal of black powder and cleaning deposits from internal pits.

Features

All Pencil Brush Pigs are equipped with removable bypass plugs, which provide a jetting action to improve cleaning effectiveness.

This pig is rugged and easy to maintain. The brushes and discs provide excellent support to the pig, increasing the life of the discs.

All brushes and scraper discs provide 100 percent circumferential cleaning. Brushes are designed to conform to the inside diameter of pipe, thus ensuring effective cleaning of the pipe wall. The pigs are equipped with nonmetallic bumpers to protect the bolts and prevent metal-to-metal contact during pigging operations.

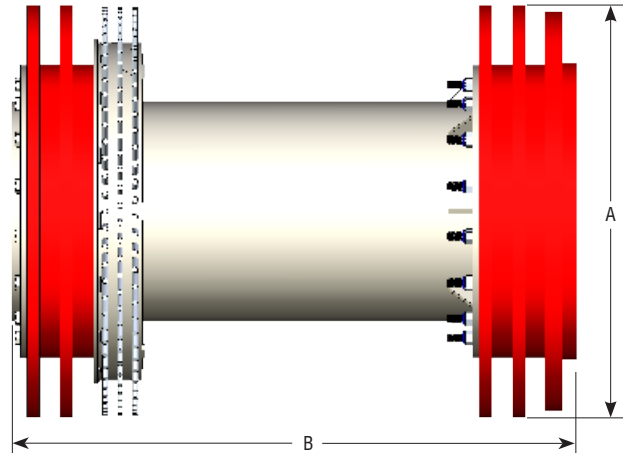
Options

T.D. Williamson is committed to providing you with the exact product to assist you with your individual needs. The Pencil Brush Cleaning Pig is offered in three standard configurations and is available in sizes 4-inch and larger. Special configurations are available to meet virtually any customer specification. Some of the special configurations are listed below.

- Pigs can be made shorter or longer.
- Pigs can have more or fewer discs in any arrangement.
- Pigs can have more brushes in any arrangement.
- Pencil Brushes can be provided with a higher density pattern.
- Pigs may be equipped with a Magnetic Cleaning assembly to remove ferrous debris.
- Pigs may be equipped with a gauge plate.
- Pigs may be equipped with an adapter plate on which to mount a pig tracking transmitter.
- Discs and brushes can be modified for very heavy wall pipe.
- Pigs may be equipped with an adapter plate on which to mount a "Trip Magnet" for detecting pig passage on a Non-Intrusive Pig Passage Indicator.
- The discs can be provided with bypass holes in order to achieve increased bypass.

Pencil Brush Cleaning Pig

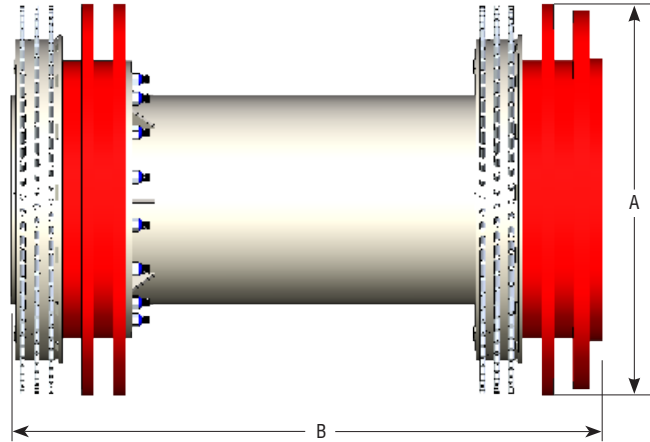
5D-1BR Pencil Brush Pig



Inch	mm	Wt./Lb.	Wt./Kg	Part Number	A		B	
					Inch	mm	Inch	mm
4	100	20	9	02-3657-0425-39	4.5	115	9.50	240
6	150	25	11	02-3657-0638-42	6.6	165	11.80	300
8	200	34	15	02-3657-0838-48	8.6	215	14.0	355
10	250	44	20	02-3657-1050-56	10.7	270	16.2	410
12	300	60	27	02-3657-1250-72	12.7	320	18.4	465
14	350	94	42	02-3657-1375-108	14.0	350	20.6	525
16	400	141	63	02-3657-1575-144	16.0	400	23.2	590
18	450	188	84	02-3657-1775-168	18.0	450	25.7	650
20	500	235	106	02-3657-1975-189	20.0	500	28.2	715
22	550	275	124	02-3657-2175-204	22.0	550	30.6	780
24	600	315	142	02-3657-2375-216	24.0	600	32.9	840
26	650	355	160	02-3657-2575-240	26.0	650	35.2	895
28	700	409	184	02-3657-2775-261	28.0	700	36.5	925
30	750	463	208	02-3657-2975-279	30.0	750	37.7	960
32	800	517	233	02-3657-3175-300	32.0	800	38.9	990
34	850	564	254	02-3657-3375-324	34.0	850	40.7	1035
36	900	610	275	02-3657-3575-345	36.0	900	42.5	1080
38	950	656	295	02-3657-3775-488	38.0	950	44.3	1125
40	1000	702	316	02-3657-3975-520	40.0	1000	46.1	1170
42	1050	748	337	02-3657-4175-552	42.0	1050	47.9	1215

Pencil Brush Cleaning Pig

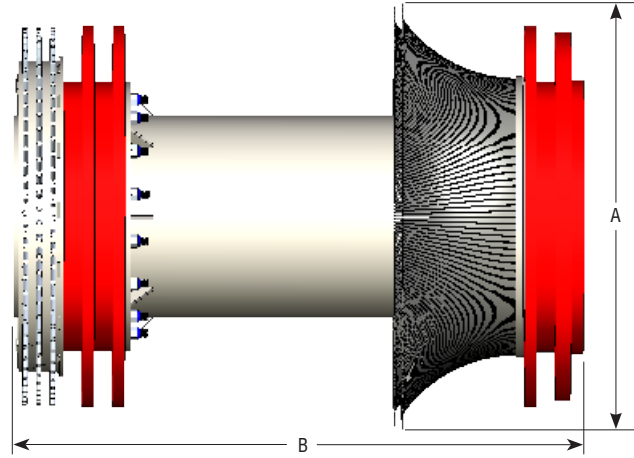
4D-2BR Pencil Brush Pig



Inch	mm	Wt./Lb.	Wt./Kg	Part Number	A		B	
					Inch	mm	Inch	mm
4	100	22	10	02-3658-0425-39	4.5	115	10.0	250
6	150	34	15	02-3658-0638-42	6.6	165	12.7	325
8	200	43	19	02-3658-0838-48	8.6	215	15.4	390
10	250	55	25	02-3658-1050-56	10.7	270	18.1	460
12	300	70	32	02-3658-1250-72	12.7	320	20.8	530
14	350	70	32	02-3658-1375-108	14.0	350	22.8	563
16	400	150	68	02-3658-1575-144	16.0	400	26.0	660
18	450	215	97	02-3658-1775-168	18.0	450	28.5	725
20	500	280	126	02-3658-1975-189	20.0	500	31.0	785
22	550	320	144	02-3658-2175-204	22.0	550	33.6	855
24	600	360	162	02-3658-2375-216	24.0	600	36.2	920
26	650	400	180	02-3658-2575-240	26.0	650	38.8	985
28	700	463	208	02-3658-2775-261	28.0	700	40.4	1025
30	750	525	236	02-3658-2975-279	30.0	750	41.9	1065
32	800	587	264	02-3658-3175-300	32.0	800	43.4	1100
34	850	637	287	02-3658-3375-324	34.0	850	44.5	1155
36	900	690	311	02-3658-3575-345	36.0	900	47.6	1210
38	950	741	333	02-3658-3775-488	38.0	950	49.7	1260
40	1000	792	356	02-3658-3975-520	40.0	1000	51.8	1315
42	1050	843	379	02-3658-4175-552	42.0	1050	53.9	1370

Pencil Brush Cleaning Pig

4D-2BR PitBoss™ Pencil Brush Pig



Inch	mm	Wt./Lb.	Wt./Kg	Part Number	A		B	
					Inch	mm	Inches	mm
4	100	25	11	02-3659-0425-39	7.5	190	11.3	285
6	150	34	15	02-3659-0638-42	10.0	265	13.9	355
8	200	41	18	02-3659-0838-48	12.4	315	16.5	420
10	250	50	23	02-3659-1050-56	14.9	380	19.1	485
12	300	65	29	02-3659-1250-72	17.3	440	21.6	550
14	350	80	36	02-3659-1375-108	19.7	500	24.1	610
16	400	119	53	02-3659-1575-144	20.9	530	26.5	670
18	450	157	71	02-3659-1775-168	22.1	560	28.8	730
20	500	195	88	02-3659-1975-189	23.3	590	31.1	790
22	550	245	110	02-3659-2175-204	25.1	640	33.5	850
24	600	295	133	02-3659-2375-216	26.9	685	35.9	910
26	650	345	155	02-3659-2575-240	28.7	730	38.3	975
28	700	424	191	02-3659-2775-261	30.8	780	40.0	1015
30	750	503	226	02-3659-2975-279	32.9	835	41.7	1060
32	800	582	262	02-3659-3175-300	35.0	890	43.4	1100
34	850	646	291	02-3659-3375-324	37.0	940	45.5	1155
36	900	710	320	02-3659-3575-345	38.9	990	47.5	1210
38	950	774	348	02-3659-3775-488	40.8	1035	49.5	1255
40	1000	838	377	02-3659-3975-520	42.7	1085	51.5	1310
42	1050	902	406	02-3659-4175-552	44.6	1135	53.5	1360



Pencil Brush Cleaning Pig

Replacement Parts

Size	Guide Disc	Seal Disc	Standard Pencil Brush	High Density Pencil Brush	PitBoss™ Brush
4	00-9507-0004-00	00-9508-0004-00	00-9501-0425-39	00-9501-0425-48	N.A.
6	00-9507-0006-00	00-9508-0006-00	00-9501-0638-42	00-9501-0638-63	00-9502-0006-00
8	00-9507-0008-00	00-9508-0008-00	00-9501-0838-48	00-9501-0838-72	00-9502-0008-00
10	00-9507-0010-00	00-9508-0010-00	00-9501-1050-56	00-9501-1050-84	00-9502-0010-00
12	00-9507-0012-00	00-9508-0012-00	00-9501-1250-72	00-9501-1250-108	00-9502-1214-00
14	00-9507-0014-00	00-9508-0014-00	00-9501-1375-108	00-9501-1375-162	00-9502-1214-00
16	00-7699-0016-00	00-7698-0016-00	00-9501-1575-144	00-9501-1575-216	00-9502-0016-00
18	00-7699-0018-00	00-7698-0018-00	00-9501-1775-168	00-9501-1775-252	00-9502-0018-00
20	00-9507-0020-00	00-9508-0020-00	00-9501-1975-189	00-9501-1975-284	00-9502-0020-00
22	00-7699-0022-00	00-7698-0022-00	00-9501-2175-204	00-9501-2175-308	00-9502-0022-00
24	00-9507-0024-00	00-9508-0024-00	00-9501-2375-216	00-9501-2375-324	00-9502-0024-00
26	00-9507-0026-00	00-9508-0026-00	00-9501-2575-240	00-9501-2575-360	00-9502-0026-00
28	00-9507-0028-00	00-9508-0028-00	00-9501-2775-261	00-9501-2775-392	00-9502-0028-00
30	00-9507-0030-00	00-9508-0030-00	00-9501-2975-279	00-9501-2975-420	00-9502-0030-00
32	00-9507-0032-00	00-9508-0032-00	00-9501-3175-300	00-9501-3175-452	00-9502-0032-00
34	00-9507-0034-00	00-9508-0034-00	00-9501-3375-324	00-9501-3375-488	00-9502-0034-00
36	00-9507-0036-00	00-9508-0036-00	00-9501-3575-345	00-9501-3575-520	00-9502-0036-00
38	00-9507-0038-00	00-9508-0038-00	00-9501-3775-488	00-9501-3775-730	00-9502-0038-00
40	00-9507-0040-00	00-9508-0040-00	00-9501-3975-520	00-9501-3975-780	00-9502-0040-00
42	00-9507-0042-00	00-9508-0042-00	00-9501-4175-552	00-9501-4175-825	00-9502-0042-00



T.D. Williamson

3000.010.04 - p6