



BiDirectionAll Pig

Sizes: 4- to 60-inch



T.D. Williamson

Bulletin No: **3000.005.04**

Version: 05.2023

Supersedes: 3000.005.03 (11.2021)



■ **BiDirectionAll Pig**



■ **BiDirectionAll Pig**
with optional brush wraps

Description

TDW's BiDirectionAll Pig is designed to be used in pipeline construction during the hydrostatic test phase for air or water displacement applications. This pig is bidirectional, which allows the pig to run in either direction. It is designed to allow the user to fill the line with hydro test water and then displace the water without having to remove the pig. It can be used as a bidirectional cleaning pig by adding optional brushes.

Features

Each pig is equipped with six discs. The lead and trailing discs are the guide/support discs, which provide support to the pig. Since the outside diameter of the guide disc is smaller, it eases the loading of the pig by providing a guide.

Each pig is equipped with four scraper/seal discs, which provide an excellent seal during a new construction displacement application. The discs have also proven to provide excellent scraping action for cleaning purposes.

All discs are made from TDW's special polyurethane material designed to provide an excellent seal and long wear. The guide/support discs are slightly harder than the scraper/seal discs to enhance the pig's performance.

The BiDirectionAll Pig may be run in either direction if the application requires. The seal/scraper disc will easily reverse its seal position when the flow direction is changed.

Options

T. D. Williamson is committed to providing you with the exact product to assist you in planning, budgeting and meeting the specifications for your individual application needs.

BiDirectionAll Pigs are available in sizes 4-inch (100 mm) and larger. To help you obtain the proper pig for your application, check to see if the selection is capable of traversing your particular pipeline components (bends, valves, tees, etc.).

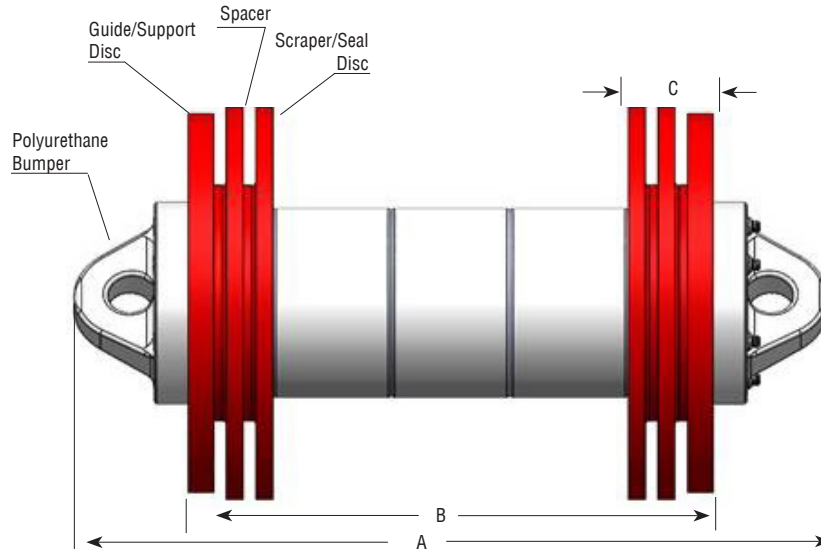
- Gauging plates are available in aluminum, slotted aluminum or steel and can be made to the diameter specified by you.
- Circular brush cleaning assemblies may be added to the front and/or rear sections of the pig.
- Magnetic cleaning assemblies may be added to retrieve any ferrous material.
- The BiDirectionAll Pig can be equipped to mount tracking transmitters. Certain limitations may apply in smaller sizes due to mounting space.
- In sizes 16-inch and larger, the BiDirectionAll Pig may be equipped with non-metallic bumpers.
- In sizes 16-inch and larger, the Bi-DirectionAll Pig may be equipped with bolt seals, which minimize leaking around the disc-mounting bolts.



BiDirectionAll Pig

BiDirectionAll Pigs will traverse diameter reductions up to 20% and 1.5 DR bends when configured as shown.

Sizes 4- to 60-inch



Inches	mm	Wt./Lbs.	Wt./Kg	Part Number	A	B	C
4*	100	9	1	01-1706-0004-00	8.8 (225)	6.3 (162)	1.3 (34)
6	150	13	3	01-1706-0006-00	14.2 (362)	11.0 (279)	2.2 (57)
8	200	17	5	01-1706-0008-00	16.7 (425)	13.5 (342)	2.2 (57)
10	250	22	10	01-1706-0010-00	21.7 (552)	15.0 (381)	2.2 (58)
12	300	26	14	01-1706-0012-00	25.7 (654)	19.0 (482)	2.5 (63)
14	350	35	16	01-1706-0014-00	25.7 (654)	19.0 (482)	2.5 (63)
16	400	73	33	01-0670-0016-00	23.4 (595)	22.4 (570)	5.1 (130)
18	450	97	44	01-0670-0018-00	26.2 (665)	25.2 (640)	5.9 (150)
20	500	125	57	01-0670-0020-00	29.2 (740)	28.0 (710)	6.2 (160)
22	550	163	74	01-0670-0022-00	31.8 (810)	30.8 (780)	6.2 (160)
24	600	196	89	01-0670-0024-00	34.6 (880)	33.6 (855)	6.8 (170)
26	650	235	107	01-0670-0026-00	37.4 (950)	36.4 (925)	7.5 (190)
28	700	288	131	01-0670-0028-00	40.2 (1020)	39.2 (995)	8.2 (210)
30	750	328	149	01-0670-0030-00	43.0 (1090)	42.0 (1065)	7.9 (200)
32	800	378	172	01-0670-0032-00	45.8 (1165)	44.8 (1140)	8.2 (210)
34	850	436	198	01-0670-0034-00	48.6 (1235)	47.6 (1210)	9.0 (230)
36	900	506	230	01-0670-0036-00	51.4 (1305)	50.4 (1280)	9.5 (240)
40	1000	651	296	01-0670-0040-00	55.0 (1395)	54.0 (1370)	9.5 (260)
42	1050	843	383	01-0670-0042-00	56.1 (1425)	54.6 (1385)	10 (255)
48	1200	1126	512	01-0670-0048-00	63.9 (1625)	62.4 (1585)	11.2 (285)
56	1400	1888	858	01-0670-0056-00	74.3 (1885)	72.8 (1850)	15.5 (395)
60	1500	2222	1010	01-0670-0060-00	76.5 (1945)	75.0 (1905)	16.2 (410)

*4-inch Pig has 3 DR Bend

BiDirectionAll Pig



Replacement Parts

Size		Guide Disc	Seal Disc
Inches	mm	Part Number	Part Number
4	100	00-7699-0004-00	00-1702-0014-00
6	150	00-7699-0006-00	00-1702-0001-00
8	200	00-7699-0008-00	00-1702-0002-00
10	250	00-7699-0010-00	00-1702-0003-00
12	300	00-7699-0012-00	00-1702-0004-00
14	350	00-7699-0014-00	00-1702-0010-00
16	400	00-7699-0016-00	00-7698-0016-00
18	450	00-7699-0018-00	00-7698-0018-00
20	500	00-7699-0020-00	00-7698-0020-00
22	550	00-7699-0022-00	00-7698-0022-00
24	600	00-7699-0024-00	00-7698-0024-00
26	650	00-7699-0026-00	00-7698-0026-00
28	700	00-7699-0028-00	00-7698-0028-00
30	750	00-7699-0030-00	00-7698-0030-00
32	800	00-7699-0032-00	00-7698-0032-00
34	850	00-7699-0034-00	00-7698-0034-00
36	900	00-7699-0036-00	00-7698-0036-00
40	1000	00-7699-0040-00	00-7698-0040-00
42	1050	00-7699-0042-00	00-7698-0042-00
48	1200	00-7699-0048-00	00-7698-0048-00
56	1400	00-7699-0056-00	00-7698-0056-00
60	1500	00-7699-0060-00	00-7698-0060-00

Ordering Information

BiDirectionAll Pig



T.D. Williamson

3000.005 - p4